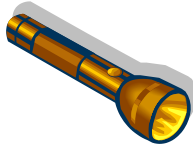

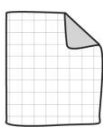

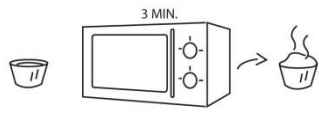









The English Club for Charedi Boys - Level 44

Target letter combination: qu










1. Circle the word that matches the picture.

הקיפו בעיגול את המילה שמתאימה לתמונה.

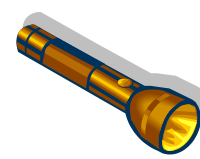
 <p>1. flash, flashlight, light</p>	 <p>2. studies, read, study</p>	 <p>3. blanket, quilt, quit</p>
 <p>4. quite, cold, quick</p>	 <p>5. quick, quit, electricity</p>	 <p>6. quiet, quit, storm</p>
 <p>7. storm, reads, studies</p>	 <p>8. hot, warm, cold</p>	 <p>9. storm, candlelight, fruit</p>
 <p>10. electricity, building, candlelight</p>	 <p>11. almost, candlelight, storm</p>	 <p>12. wind, quickly, quite</p>

2. Write the word next to the picture.

כתבו את המילה וגלו את הסוד.

 f _ _ _  l _ _ _ _ _  _ _ a _ _ _ _ _  s _ _ _ _ _  h _ _ _ _ _	 l _ _ _ _ _  _ _ i _ _ _  _ _ g _ _ _  h _ _ _ _ _ <p>60 _ _ _ t y</p>
--	---

What is it ? \_ \_ \_ \_ \_



3. Fast read. Read each group of words quickly three times. How long did it take to read each group aloud?

קריאה מהירה: כמה זמן נדרש כדי לקרוא בקול?  
קראו כל קבוצה 3 פעמים ורשמו כמה זמן נדרש.

### A. Q words

quizzes, quick, queen, quickly, quilt, quiet, quick, quite, quiz, quartz

Time 1 \_\_\_\_\_  
זמן בקריאה הראשונה

Time 2 \_\_\_\_\_  
זמן בקריאה השנייה

Time 3 \_\_\_\_\_  
זמן בקריאה השלישית

### B. One-syllable words

cold, storm, there, kids, winds, the, for, quiz, quit, next, sits, place, and, with, no, is, by, to, off, sits, his, class, tones, as, must, shines, on, say, had, use, thing, it, did, plans, finds, quilt

Time 1 \_\_\_\_\_  
זמן בקריאה הראשונה

Time 2 \_\_\_\_\_  
זמן בקריאה השנייה

Time 3 \_\_\_\_\_  
זמן בקריאה השלישית

### C. Two-syllable words

studies, candle, light, morning, prepare, isn't, even, study, fallen, re-check, doesn't, also, student, quickly, Natan, building, buzzing, tables, unfold, mistake, unpack, repack, behave, blanket, next to, flashlight, wires, almost

Time 1 \_\_\_\_\_  
זמן בקריאה הראשונה

Time 2 \_\_\_\_\_  
זמן בקריאה השנייה

Time 3 \_\_\_\_\_  
זמן בקריאה השלישית

### D. Three or more syllables

Uziel, candlelight, suddenly, electricity, electric, lightning

Time 1 \_\_\_\_\_  
זמן בקריאה הראשונה

Time 2 \_\_\_\_\_  
זמן בקריאה השנייה

Time 3 \_\_\_\_\_  
זמן בקריאה השלישית

4. Match the two parts of each sentence.

האתימו את שני החלקים של כל משפט.

1. There is no light for Natan	<input type="checkbox"/>	a. a quiz the next morning.
2. He must finish quickly,	<input type="checkbox"/>	b. and studies by its light.
3. Natan finds a flashlight	<input type="checkbox"/>	c. the electricity goes off.
4. There is a storm	<input type="checkbox"/>	d. all the kids say they did the same thing.
5. In the morning	<input type="checkbox"/>	e. study by candlelight.
6. Natan needs to study for	<input type="checkbox"/>	f. to study by.
7. Some kids even had to	<input type="checkbox"/>	g. as it is quite late.
8. Suddenly,	<input type="checkbox"/>	h. with lightning and strong winds.

5. Write the story in the correct order using the completed sentences.

כתבו את הסיפור לפי הסדר עם המשפטים שהשלמתם.

1. \_\_\_\_\_.
2. \_\_\_\_\_.
3. \_\_\_\_\_.
4. \_\_\_\_\_.
5. \_\_\_\_\_.
6. \_\_\_\_\_.
7. \_\_\_\_\_.
8. \_\_\_\_\_.

6. Read the story.

Queen Quincy's Quiet Dinner

Queen Quincy is the queen (מלכה) of a kingdom. She works hard in the palace (ארמון). Many people come to see her every day. They come from the USA. They come from Mexico. They come from China and Japan. After working so hard she is quite cold, tired (עיפה) and hungry. Queen Quincy needs to rest. She quickly goes to the palace garden. She wants quiet. She wants to rest with a quilt. The servants (משרתים) quickly serve the queen some sandwiches, cake and fizzy drinks.

"No, no," says the queen. "I want to eat chicken and potatoes. I want to eat a tomato salad. I want to drink fruit juice. I don't like fizzy drinks."

Queen Quincy comes into the palace to eat her dinner. The king is there too. The king and the queen eat a quiet dinner by candlelight. They eat slowly. They do not eat quickly. They want quiet.

Suddenly there is a storm. The electricity goes off. The king and the queen do not care. They like to eat a quiet dinner by candlelight.

7. How should you complete the sentence?

איך משלימים כל משפט?

1. Queen Quincy Quinn is queen of \_\_\_\_\_.  
a. a home                      b. a kingdom                      c. the USA
2. People come from \_\_\_\_\_ to see the queen.  
a. the USA                      b. Israel                      c. Tel Aviv
3. Queen Quincy quickly goes to the palace \_\_\_\_\_ after she works.  
a. garden                      b. class                      c. park
4. The queen doesn't like \_\_\_\_\_.  
a. fruit juice                      b. potatoes                      c. fizzy drinks
5. The queen comes to the palace to eat dinner with the \_\_\_\_\_.  
a. servants                      b. king                      c. kids
6. They eat dinner by \_\_\_\_\_.  
a. candlelight                      b. electricity                      c. flashlight
7. Suddenly there is a storm and the \_\_\_\_\_ goes off.  
a. candlelight                      b. electricity                      c. flashlight
8. What do you want to be?  
a. a queen                      b. a servant                      c. a king

8. Copy two sentences that tell what the queen does in the palace.

העתיקו שלושה משפטים שמתארים מה המלכה עושה בארמון.

- a. \_\_\_\_\_
- b. \_\_\_\_\_

